



GAMMA

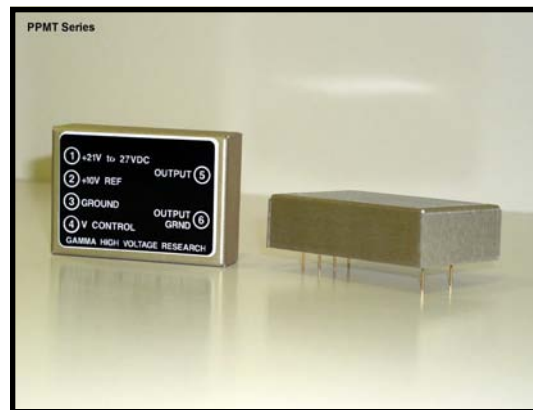
PHOTOMULTIPLIER TUBE PRECISION POWER SOURCE

MODEL PPMT 1-3.0/DC 0 - 1KV at 0 - 3mA

FEATURES:

- Low Ripple: < .001%
- Small case size
- Low cost
- PCB Mounting
- Either Polarity Available
- Internal Reference (10V)
- Arc over & short circuit protected

The flexible design of this unit can be adapted to special requirements.



MODELS:

- PPMT 1-3 N/DC
- PPMT 1-3 P/DC

APPLICATIONS:

- Photomultiplier Tubes
- Solid State Detectors
- Analytical Instruments
- Spectral Source Lamps
- Ink Jet Printers
- Gas Chromatography

DESCRIPTION:

This "GAMMA" model PPMT unit incorporates a linear sinusoidal oscillator operation at a frequency greater than 300KHz, insuring low ripple and RFI free operation.

Output voltage control may be achieved by an external programming source or from the internal precision reference provided. PCB mounting makes this an ideal product for OEM applications.



GAMMA HIGH VOLTAGE RESEARCH INC.

Designers/Manufacturers-High Voltage Power Supplies

1096 NORTH U.S. #1, ORMOND BEACH, FL 32174 * TEL. 386-677-7070, FAX 386-677-3039

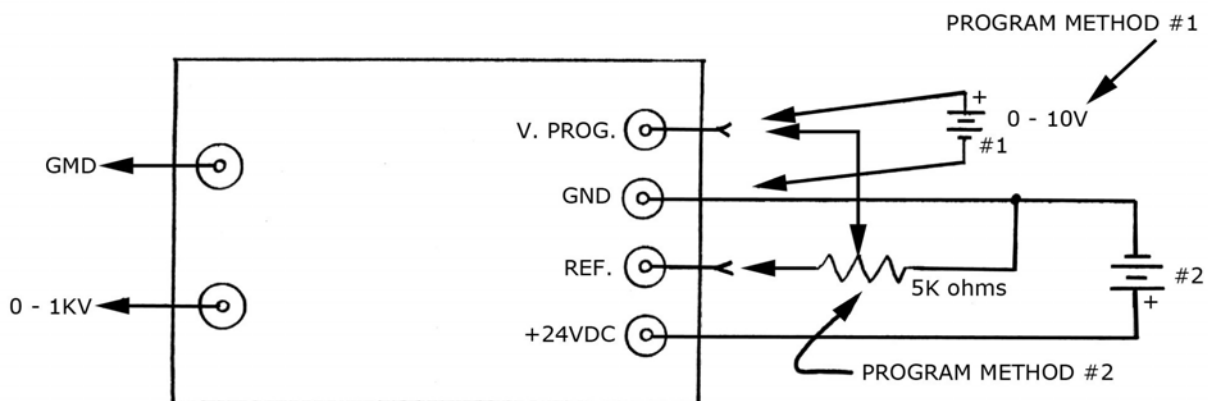


GAMMA

PHOTOMULTIPLIER TUBE PRECISION POWER SOURCE

SPECIFICATIONS:

Input Voltage:	24VDC \pm 10%
Input Current:	250mA max
Output Voltage:	0-1000V
Output Current:	3.0 mA maximum
Output Polarity:	Fixed. Either Positive or Negative is available. Add P or N as suffix to model number to indicate polarity desired.
Load Regulation:	< 0.005%
Line Regulation:	< 0.005% for \pm 10% change in input voltage
Output Ripple:	< 0-10mV Peak-to-Peak; typical 5mV
Voltage Control:	0-10V = 0-1000V
Temp. Coefficient:	50 ppm/ $^{\circ}$ C
Operating Temperature:	0 $^{\circ}$ C to 50 $^{\circ}$ C
Protection:	Overload and short circuit protected.
Mechanical:	Weight: < 100g Size: 77mm x 54mm x 23mm High



GAMMA HIGH VOLTAGE RESEARCH INC.

Designers/Manufacturers-High Voltage Power Supplies

1096 NORTH U.S. #1, ORMOND BEACH, FL 32174 * TEL. 386-677-7070, FAX 386-677-3039